

BALTOGRAPH XSD320/4,5KW



High voltage range:	5 to 320 kV
Tube current range:	0,1 to 30 mA
Focal spot size:	From 0,8 x 0,8 to 3 x 3
Max. output power:	4500 W
Anode cooling type:	Oil
Duty cycle:	100%
Insulation:	Encapsulated
Voltage:	230 V
Operating temperature:	45°C
Weight:	136 kg
Tubehead:	Metal Ceramic
Control unit	LS1

MAIN FEATURES

- High frequency constant potential generator
- « Ripple free »
- High duty cycle
- Current up to 30 mA
- Metal-ceramic tube
- Stationary or mobile unit
- Full automatic preheating
- Very stable output
- Safety first, X-ray start with 2 buttons
- Low consumption

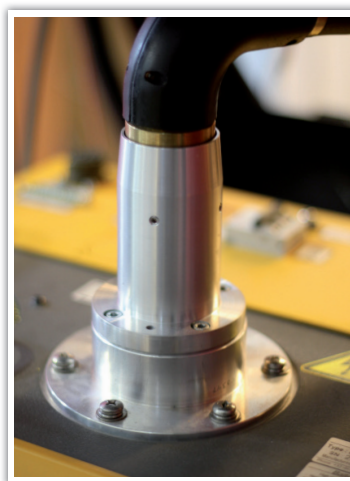


KEY ADVANTAGES

- Very reliable
- Powerful, steadiness & sturdiness
- Solid insulation HV module : more convenient for the maintenance
- No gas and no oil to isolate
- Can be turned into panoramic or directional x-ray equipment
- Can drive up to two individual filament
- Can be combined to a RS232 interface
- CANON military metallic connectors

MOST COMMON APPLICATIONS

- Oil & Gas
- Energy
- Aeronautical/ aerospace
- Transport
- Military
- Bio-medical & agriculture
- And much more



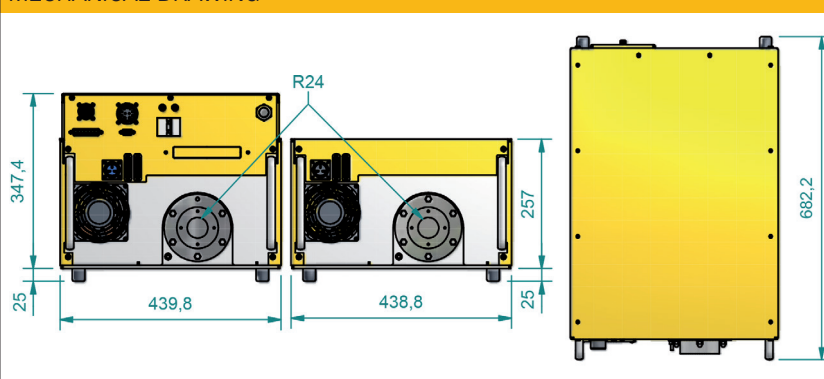
XSD320 is the first bipolar unit of the Baltograph series. Made up of two 160 kV unit (Cathodic + Anodic), it uses the same modules as the monopolar unit and can consist in an upgrade of an existing monopolar unit from the XSD series.

Completely renewed during summer 2014, it keeps all previous features but has been made with the latest available components, reduced in size, weight and the most important, is more powerful, offering 4000W.

This unit is mostly designed for high absorbing material where a very high or very reduced exposure time is necessary.

Extremely simple to install and to connect, it could also be used as a mobile unit for specific applications.

MECHANICAL DRAWING



Combined to our computerized control panel (LS1 series), it can be integrated in any environment, can replace the majority of existing units without big changes or any, or can be installed as a single end unit.

INTERNATIONAL

- CE certified
- NFC74-100 LCIE Certified

Specifications	Units	XSD320/4,5KW
High voltage range	kV	5 - 320
Tube current range	mA	0,1 - 30
Focal spot size (IEC336)		From 0,8 x 0,8 to 3 x 3
Ripple		0,1% PP
Maximum output power	Watt	4500
Frequency	Hz	47 - 63
Current	A	22
Steel penetration at max (*)	mm	76
Working temperature	°C	0 to 45°C
Anode cooling type		Oil
Duty cycle	%	100%
Insulation		Encapsulated
Voltage	V	230 (-15% +10%)
Weight	Kg	136
Tubehead		Metal-Ceramic
Control unit:		LS1

* FFD= 700mm/Film Carestream Industrex AA400/D=2.0/t=10min.



LS1

- kV step: **1 - 2 - 5**
- mA step: **0,1 - 0,2 - 0,5**
- Memories: **10.000**
- Casing: **Aluminium**
- Frequency: **45 - 66 Hz**
- Mains: **90 - 245 V**
- Weight: **4,8kg**

STANDARD EQUIPMENT

- X-Ray generator : XSD
- Tubehead : TSD
- Control unit : LS1
- A cable from the generator to the control panel
- A main power cable



LS1-C2

- kV step: **1 - 2 - 5**
- mA step: **0,1 - 0,2 - 0,5**
- Memories: **10.000**
- Casing: **Aluminium**
- Frequency: **45 - 66 Hz**
- Mains: **90 - 245 V**

OPTIONAL EQUIPMENT

- Warning flashing light with 20 m cable
- Closed circuit type oil/air cooling unit
- Closed circuit type oil/water cooling unit with chiller
- Water security box

Produced by:

Balteu NDT

Rue Voie de Liège, 12
B-4681 Hermalle Sous Argenteau
Belgium

www.balteu.com

balteu@balteu.com

Tel. +32 (0) 4 374 75 75

Fax +32 (0) 4 374 75 85

Distributed by:

